



WWW.BARRYIND.COM

# RY1005CB-XXXXJN-91

Alumina

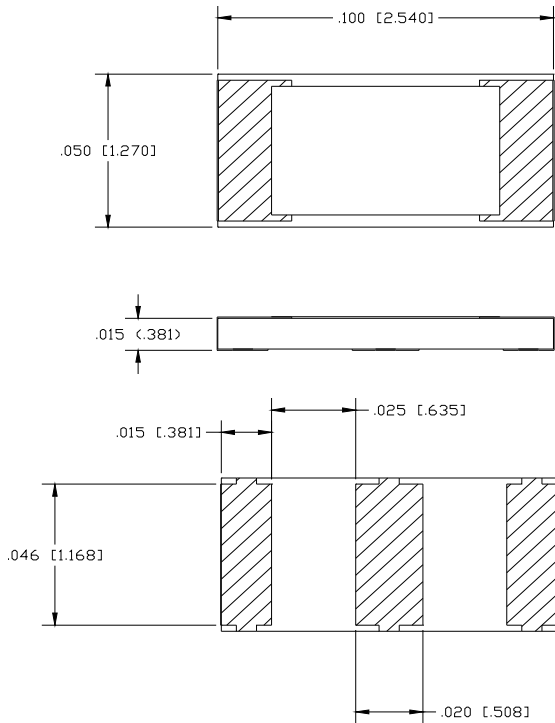
SURFACE MOUNT RESISTOR

### Features:

- ◆ Alumina Material
- ◆ .5 to 1 Megohm Available
- ◆ Surface Mountable

### General Description:

The RY1005CB-XXXX\*JN-91 is a surface mountable resistor. Its compact design is ideal for miniature electronic assemblies.

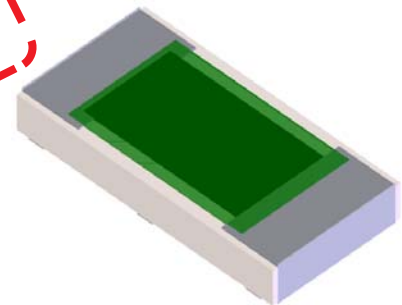


Dimensions in inches [mm]  
Tolerance  $\pm .005$  [.127]  
unless otherwise stated

Temperature Coefficient:  
 $\pm 250$ PPM/ $^{\circ}$ C from  $-55^{\circ}$ C to  $+150^{\circ}$ C  
(Standard)

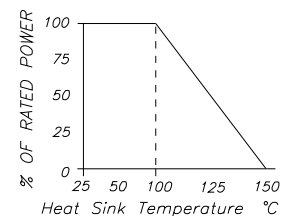
**PRELIMINARY**

\*XXXX  
Ohms  
0.5...R500  
1 .....1R00  
10.....10R0  
50.....50R0  
100...1000  
150...1500  
1K....1001  
10K...1002  
100K.1003  
470K.4703  
1M....1004



Sample part number:  
RY1005CB-50R0JN-91

DERATING CURVE:



Parameter	Min.	Typ.	Max.	Units
Input Power			5	Watts
Resistance		+/- 5%		Ohms
Mounting Surface Temperature			100	$^{\circ}$ C

Barry Industries reserves the right to change part number and or process without notification.

Barry Industries, Inc., 60 Walton St., Attleboro, MA 02703 T: 508-226-3350 F: 508-226-3317 E-mail: ABSales@Vishay.com

Barry Industries maintains an ISO 9001 Certified Quality Management System

Origination Date	Revision Date	Rev.
04/07/09	04/07/09	-